



8-head model



4-head model

## ► CN SignalMaster™ | Directional Lighting

### FEATURES

- SpectraLux™ Multicolor LED Technology available in combinations of Amber, Blue, Red, or White.
- Solaris® LED assemblies for the highest optical efficiency.
- Compatible with FS Convergence Network sirens.
- A serial interface module is available for use with your existing light controller.
- Available in 4-head or 8-head models.
- Models available for both front and rear vehicle applications — Front facing models utilize wide angle reflectors; Rear facing models utilize narrow angle reflectors.
- White LED options can be used as takedowns, work lights, or flood lighting.
- Built-in SignalMaster™ available in rear facing models.

### Warning and traffic clearing LED light built for first responders

CN SignalMaster™ provides advanced warning and directional lights specifically for first responders. Built with Federal Signal's exclusive Solaris® LED reflector design for superior light intensity, the CN SignalMaster is available in four- and eight-head models, and is suitable for interior and exterior installation.

### Eye-catching patterns in a variety of colors

The CN SignalMaster™ can quickly be changed from a warning light to a directional light with Federal Signal's Spectralux technology. SpectraLux multicolor LED technology allows for a single LED source to change while in motion. CN SignalMaster is available in color combinations of Amber, Blue, Red, or White.

White LED options can be used as takedowns, work lights, or act as an impressive flood light. Rear facing models have a built-in SignalMaster to act as a directional light for on-coming traffic.

CN SignalMasters are programmed with 27 built-in flash patterns and can remain in sync with other lighthouse flash patterns or operate independently.

### Simple installation and programming

CN SignalMaster models are equipped with the FS Convergence Network for simple 'plug-n-play' installation and programming. Utilizing standard RJ45 connections, the CN SignalMaster can easily be programmed with Federal Signal's PA300-CN and SmartSiren Platinum.

A serial interface module with your existing light controller can also be used to program and operate the features and functions of the CN SignalMaster.



Built-in SignalMaster feature



Flood Lighting feature



Select a popular configuration below or customize a configuration using our on-line configurator at <http://config.fedsig.com/lightbar/>

**4-head Front Models without interface module**

- CNSM4F-00001 (2) Red LED reflectors, (2) Blue LED reflectors (alternating)
- CNSM4F-00002 (4) Red/Blue LED reflectors
- CNSM4F-00003 (4) Red/White/Blue LED reflectors

**4-head Front Models without interface module**

- CNSM4R-00001 (2) Red LED reflectors, (2) Blue LED reflectors (alternating)
- CNSM4RS-00001 (4) Red/White/Blue LED reflectors
- CNSM4R-00002 (4) Red/Blue/Amber LED reflectors

**8-head Front Models without interface module**

- CNSM8F-00001 (4) Red LED reflectors, (4) Blue LED reflectors
- CNSM8F-00002 (6) Red/Blue LED reflectors, (2) Red/White/Blue LED reflectors (takedowns)

**8-head Rear Models without interface module**

- CNSM8R-00002 (8) Amber LED reflectors
- CNSM8RS-00001 (6) Amber LED reflectors, (2) White LED reflectors (work lights)
- CNSM8R-00003 (6) Amber LED reflectors, (2) Red/Blue LED reflectors on ends
- CNSM8R-00004 (4) Red LED reflectors, (2) Blue LED reflectors

**Accessories and Kits**

- CNSM-RBK1 Mount kit for installing 8-head CN SignalMaster in 2013 Ford Police Utility
- CNSM-UM Universal mount kit for internal and external use

**4-Head**

Specifications	
Voltage	12.8 VDC
Amp Draw (total)	4 Amps
Operating temp	-30°C to +65°C

Physical Specifications	
Height	1.7 in (4.3 cm)
Length	15.7 in (39.9 cm)
Width	3.3 in (8.4 cm)

Ship Weight	
2 lbs (0.09 kg)	

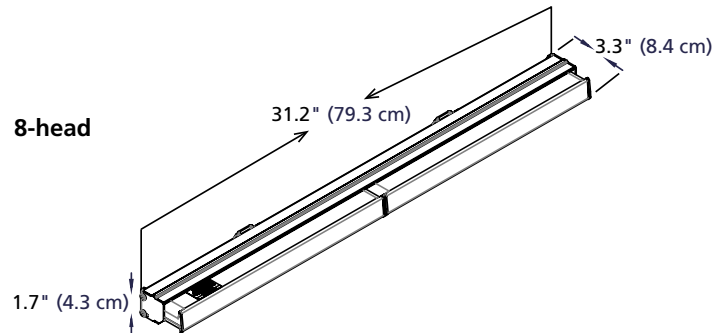
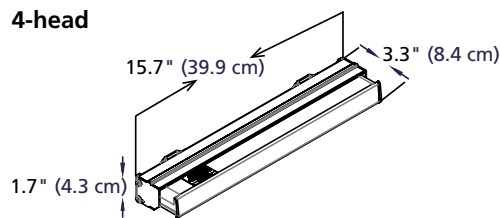
**8-Head**

Specifications	
Voltage	12.8 VDC
Amp Draw (total)	8 Amps
Operating temp	-30°C to +65°C

Physical Specifications	
Height	1.7 in (4.3 cm)
Length	31.2 in (79.5 cm)
Width	3.3 in (8.4 cm)

Ship Weight	
4 lbs (1.8 kg)	

**4-head**



Drawings not to scale



SignalMaster, SpectraLux, Solaris and SmartSiren are trademarks of Federal Signal Corporation.

©2016 Federal Signal Corporation. M3007 I 113